

TAMH-1.6-2.4-5.8/2453

Directional Antenna

Key Features:

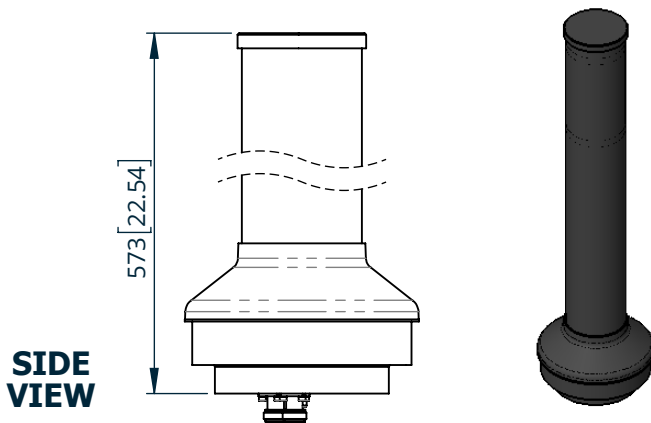
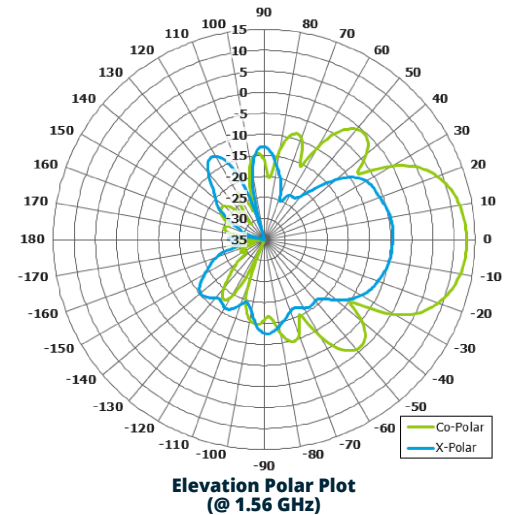
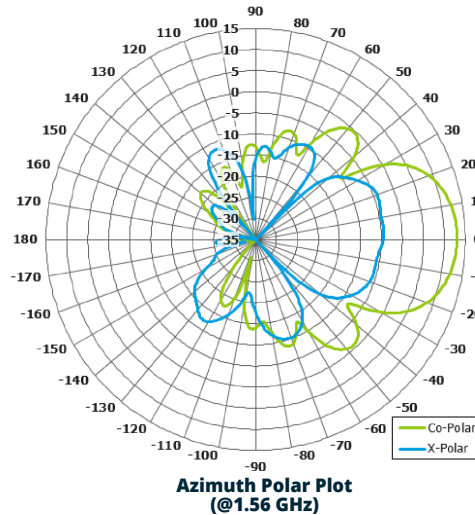
Designed for Counter-UAS applications

Tri-port antenna covering 1.6, 2.4 and 5.8 GHz bands

High power handling

Circular polarisation for increased overall effectiveness

High gain and narrow beam width reduces impact outside the target zone

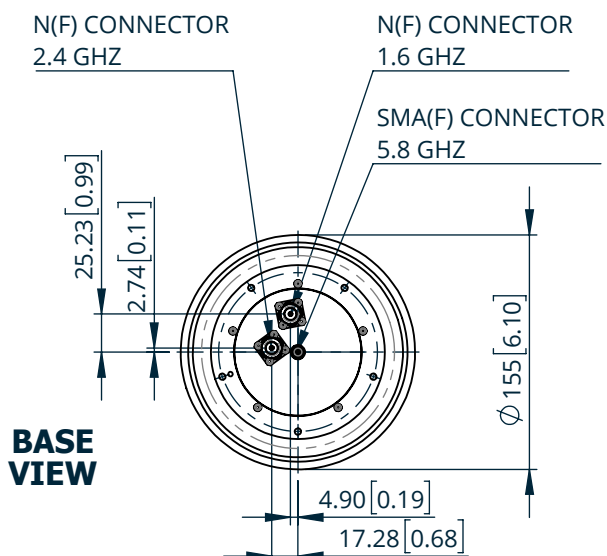


ELECTRICAL

Frequency:	1.56 to 1.67 GHz	2.30 to 2.50 GHz	5.40 to 5.90 GHz
Gain:	13 dBiC Typ.	14.5 dBiC Typ.	12.5 dBiC Typ.
Polarisation:	Circular		
Beamwidth:	30° x 30° Typ.		
Axial Ratio:	<3 dB Typ.		
VSWR:	2:1 Max, <1.5:1 Typ.		
Power Rating:	25 W per port		

MECHANICAL

Standard Finish:	Black
Mass:	1.5 Kg / 3.3 lbs
Temperature:	-40 to +70°C



Full radiation patterns and CAD available on request

DS: 2453-2

Issued: 060921

Dimensions: mm [inches]